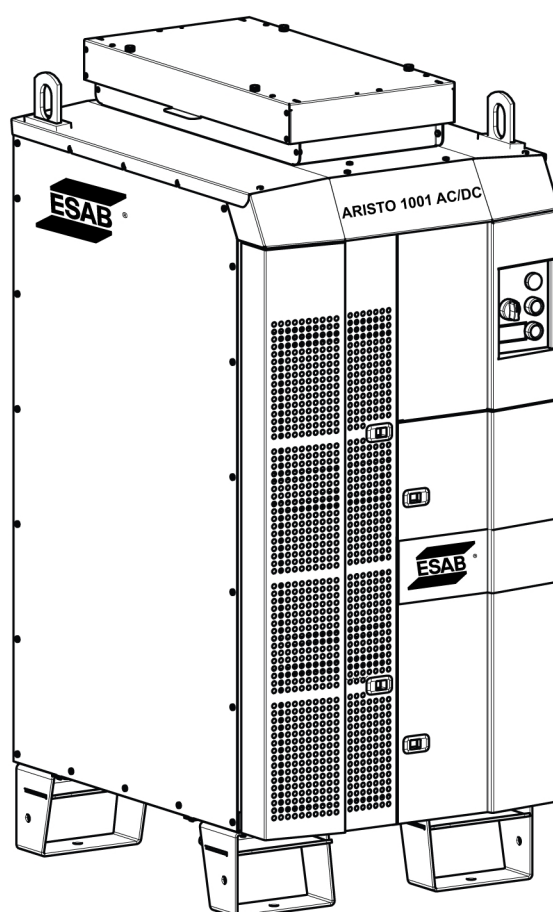


Aristo® 1001 AC/DC



Spare parts list

Ordering no.	Denomination	Product	Notes
0462 100 890	Welding power source	Aristo® 1001 AC/DC	

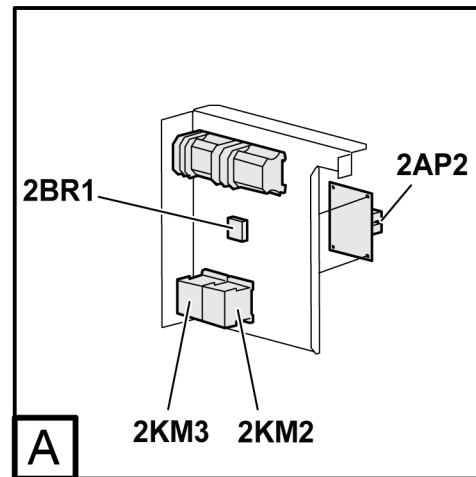
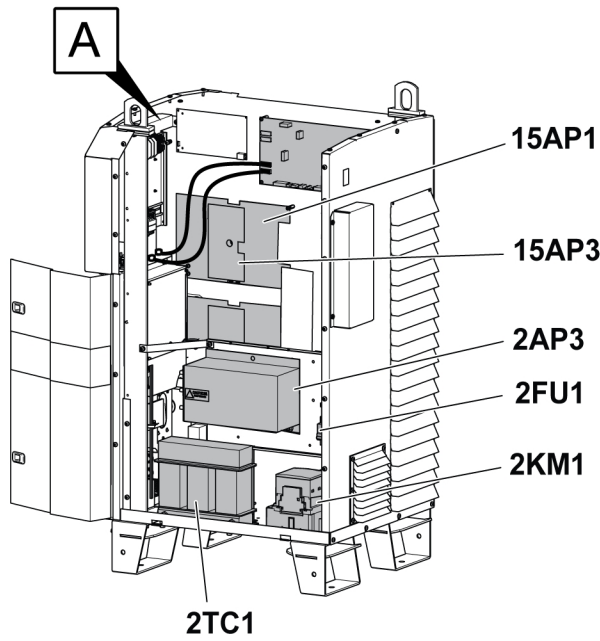
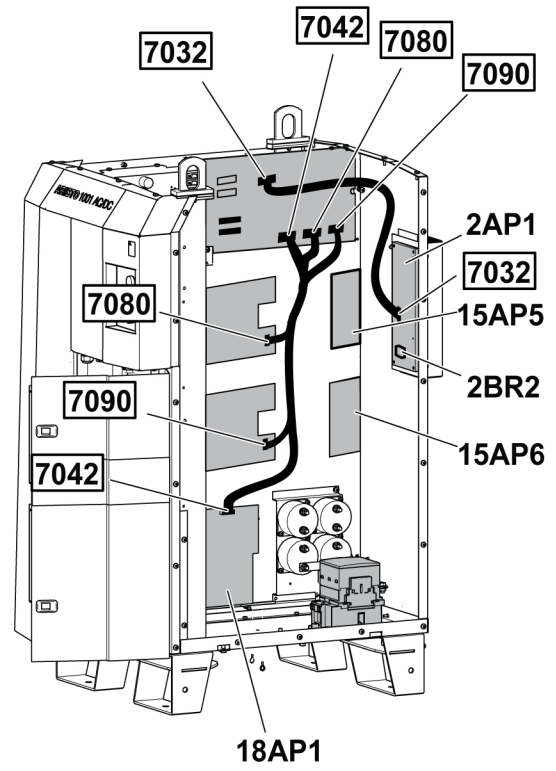
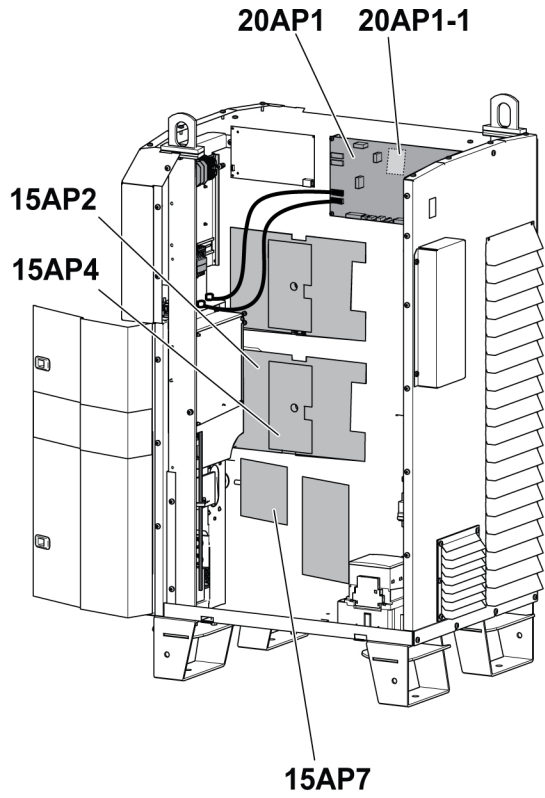
Spare parts may be ordered through your nearest ESAB dealer, see esab.com. When ordering, please state product type, serial number, denominations and ordering numbers according to the spare parts list. This facilitates dispatch and ensures correct delivery.

Maintenance and repair work should be performed by an experienced person, and electrical work only by a trained electrician. Use only recommended spare parts.

1 SPARE PARTS 4

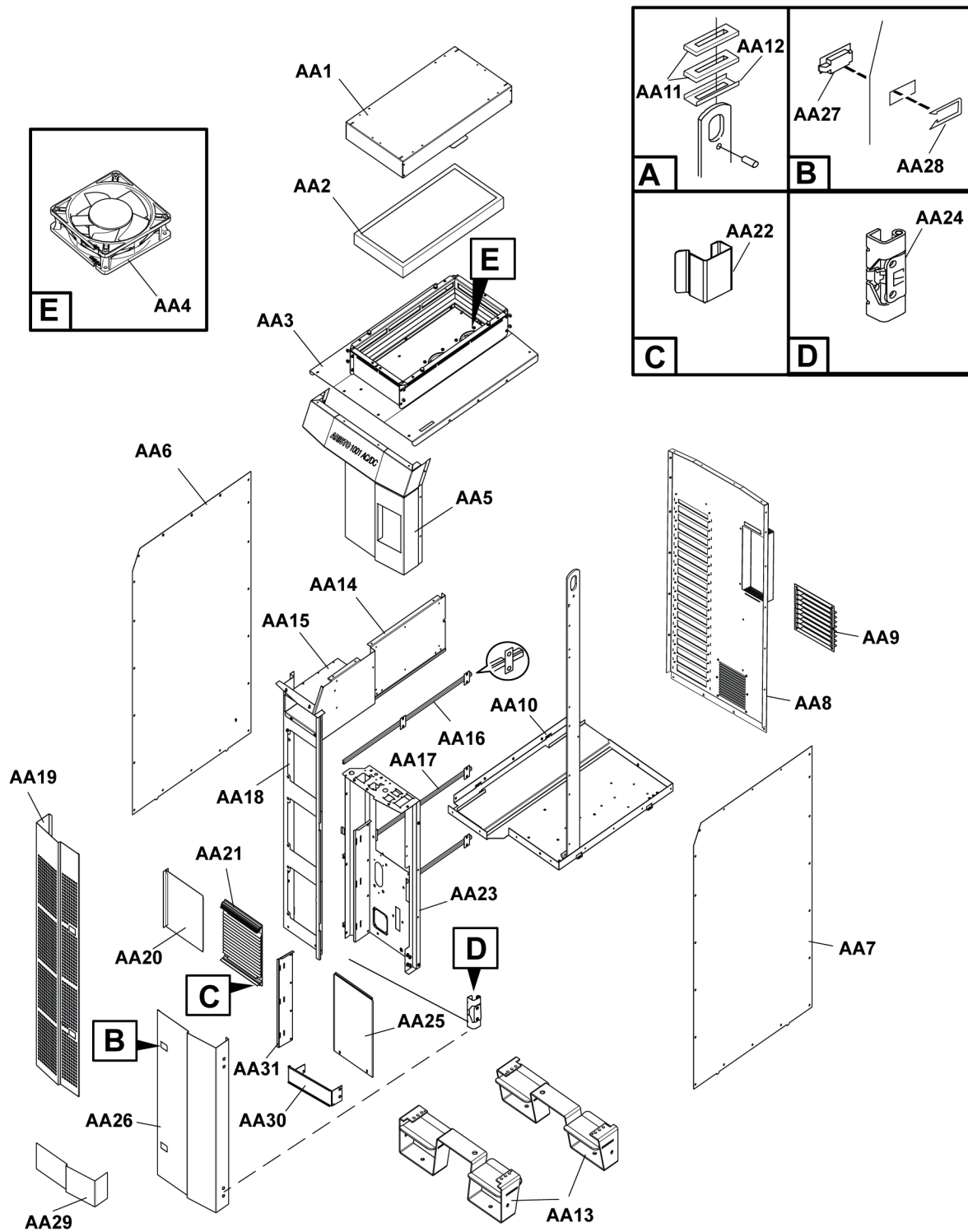
1 SPARE PARTS

C = Component designation in the circuit diagram		
C	Denomination	Notes
2AP1	PCB internal power supply	See item AC9 below.
2AP2	PCB power on	See item AC20 below.
2AP3	EMC filter	See items AC1 below.
2BR2	Rectifier bridge	See item AC8 below.
2BR1	Rectifier bridge	See item AC18 below.
2FU1	Thermal protection relay	See item AC14 below.
2KM1	Contactor	See item AC3 below.
2KM2	Mini contactor	See item AC17 below.
2KM3	Mini contactor	See item AC16 below.
2TC1	Control transformer	See item AC2 below.
15AP1	PCB power board	See item AE5 below.
15AP2	PCB power board	See item AE5 below.
15AP3	PCB filter	See item AE1 below.
15AP4	PCB filter	See item AE1 below.
15AP5	PCB secondary rectifier	See item AF10 below.
15AP6	PCB secondary rectifier	See item AF10 below.
15AP7	PCB soft start	See item AG11 below.
18AP1	PCB AC-control	See item AG1 below.
20AP1	PCB	See item AC4 below.
20AP1-1	Attribute external memory PCB	See item AC5 below.



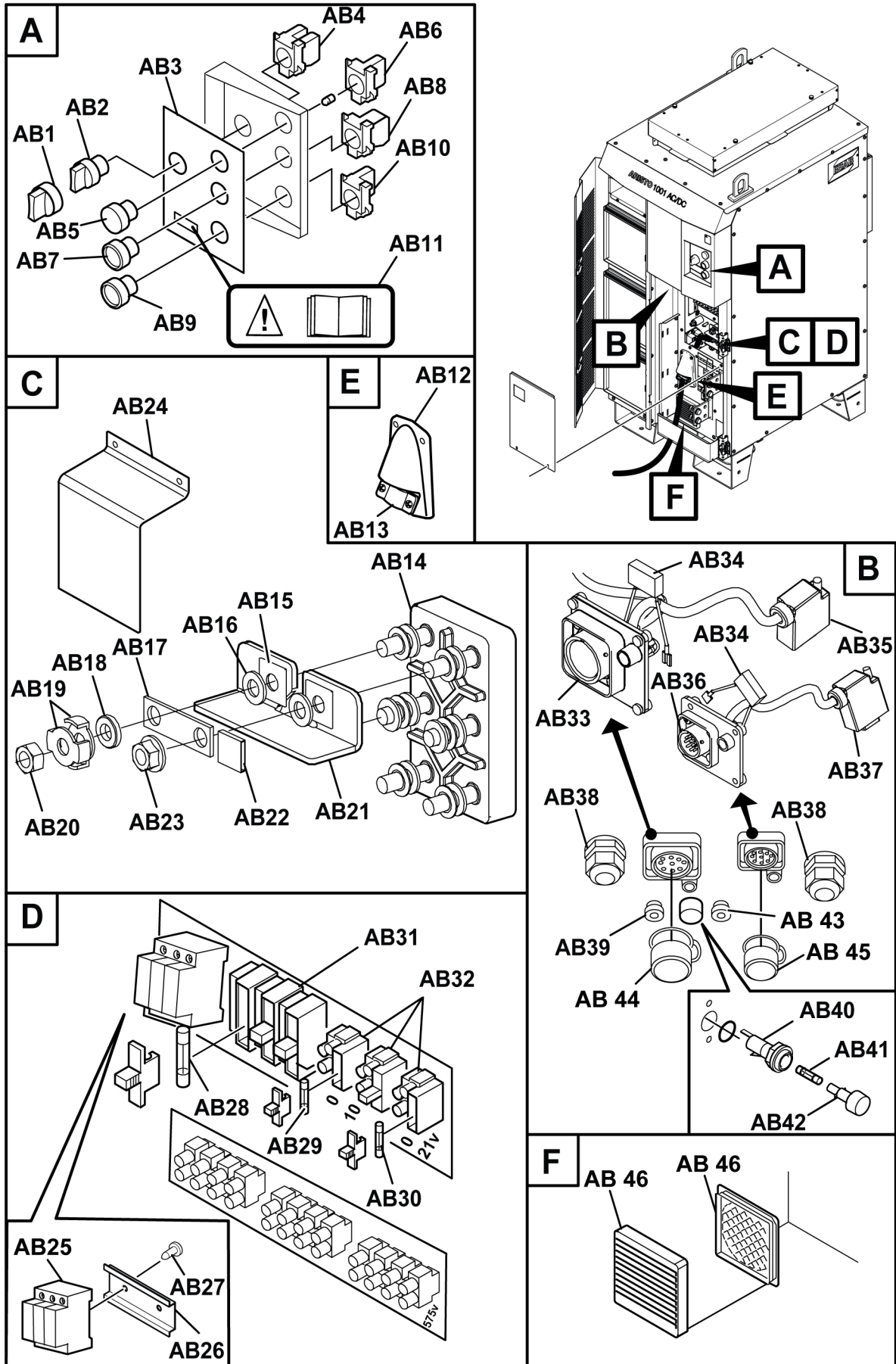
1 SPARE PARTS

C = Component designation in the circuit diagram					
Item	Qty.	Ordering no.	Denomination	Notes	C
AA1	1	0462 091 040	Top box complete		
AA2	1	0464 752 815	Cassette Filter	With Neoprene tape	
AA3	1	0462 091 010	Roof complete		
AA4	2	0349 313 808	Top module fan complete	Including cable harness with connector	21EV1, 21EV2
AA5	1	0462 112 882	Front piece welded	Screened	
AA6	1	0462 134 010	Side cover flat	Right	
AA7	1	0462 134 020	Side cover flat	Left	
AA8	1	0462 099 882	Rear plate		
AA9	1	0465 090 880	Exhaust cover		
AA10	1	0462 101 880	Bottom plate		
AA11	4	0468 797 001	Seal		
AA12	2	0468 796 001	Support plate		
AA13	2	0462 992 010	Foot assembly		
AA14	1	0463 109 001	Intermediate plate		
AA15	1	0462 128 880	Storage box assembly		
AA16	2	0463 110 001	Sealing plate		
AA17	1	0463 110 002	Sealing plate		
AA18	1	0462 126 001	Front inner plate		
AA19	1	0462 093 001	Door filter		
AA20	3	0458 398 003	Metal mesh filter		
AA21	3	0459 725 012	Profile front		
AA22	3	0463 042 001	Clamp		
AA23	1	0462 127 002	Terminal plate		
AA24	4	0462 981 001	Hinge		
AA25	1	0463 041 002	Cover		
AA26	1	0462 094 001	Door connections		
AA27	4	0349 312 092	Lock		
AA28	4	0369 561 002	Clamp		
AA29	1	0463 038 001	Label door		
AA30	1	0462 135 001	Cable protect bracket		
AA31	1	0462 138 001	Cable channel		



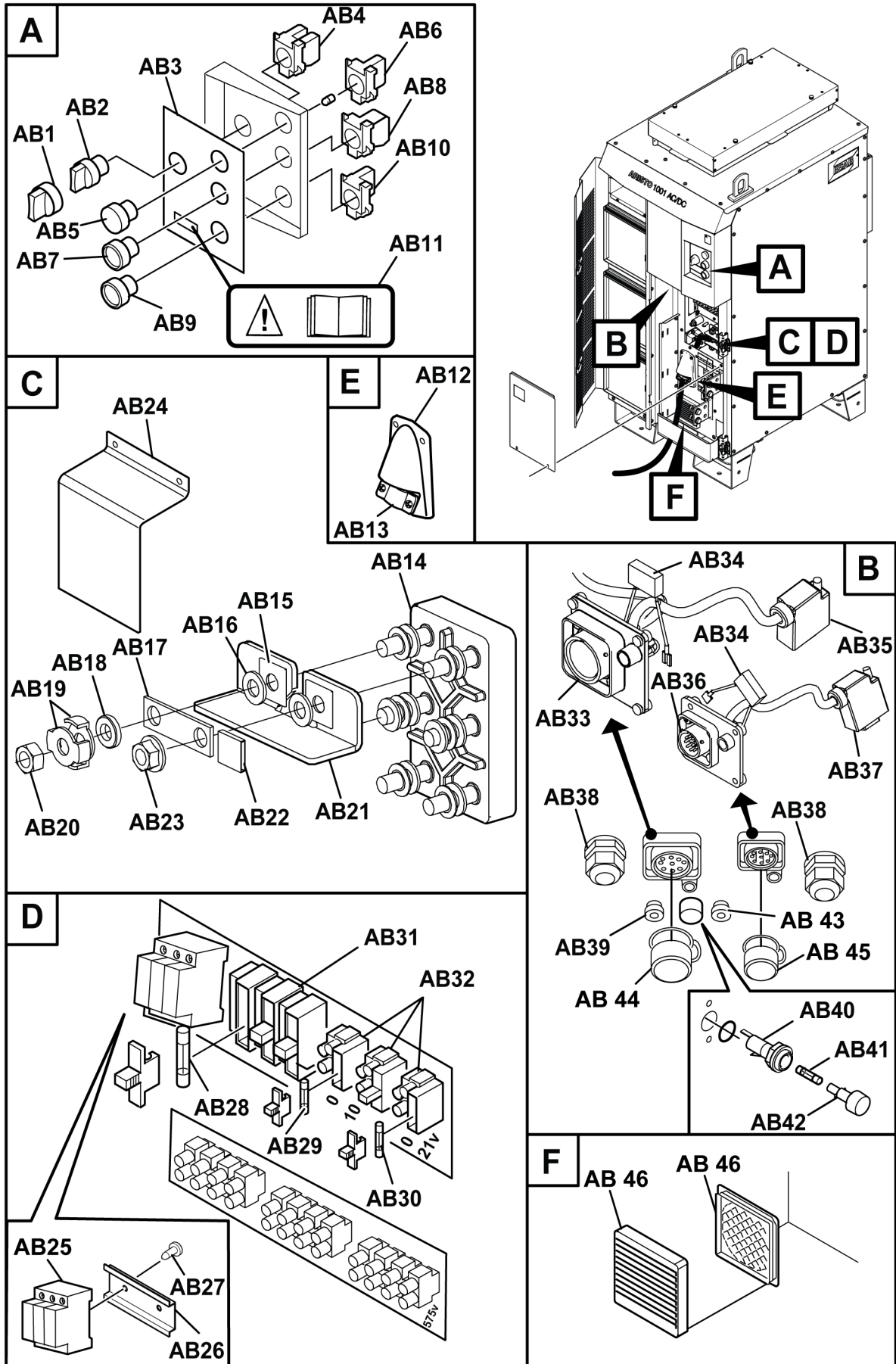
1 SPARE PARTS

C = Component designation in the circuit diagram					
Item	Qty.	Ordering no.	Denomination	Notes	C
AB1	1	0463 214 001	Dust protection to switch		
AB2	1	0463 210 001	Selector switch		
AB3	1	0463 037 001	Label panel		
AB4	1	0463 209 001	Body / contact	2× ON	
AB5	1	0463 210 004	Pilot lights	With orange LED	
AB6	1	0463 209 004	Body / Contact	1× white led	
AB7	1	0463 210 003	Start button	With white LED	
AB8	1	0463 209 003	Body / Contact	1× ON white led	
AB9	1	0463 210 005	Stop button	Black	
AB10	1	0463 209 002	Body / Contact	1× OFF	
AB11	1	0458 950 001	Sign	Read Manual	
AB12	1	0158 115 880	Cable inlet		
AB13	1	0455 084 001	Cable clamp		
AB14	1	0040 894 001	Connection block		
AB15	4	0465 068 001	Square washer	M8	
AB16	12	-	Washer	ISO 7089, D8.4×16	
AB17	3	0263 104 126	Connector		
AB18	3	0215 100 103	Washer	D16/8.4×3	
AB19	6	0264 300 405	Washer	KB 8.5	
AB20	3	-	Nut	ISO 4032, M8 steel	
AB21	2	0465 057 001	Isolation, Connection block		
AB22		-	Shrinking tubing		
AB23	3	-	Nut	ISO 4161 / DIN 6331, M6MF-8	
AB24	1	0463 243 001	Protective shield		
AB25	1	0349 313 672	Circuit breaker	3P 10A	2FU11
AB26	1	0349 306 984	Bracket		
AB27	2	0194 119 252	Screw RTS	ISO 14585C, ST4.8×9.5	
AB28	3	-	Delay-action glass-tube fuse	16 A, 6.3×32 mm	2FU6, 2FU7, 2FU8
AB29	2	-	Delay-action glass-tube fuse	3.15 A, 5×20 mm	2FU9, 2FU10
AB30	1	-	Delay-action glass-tube fuse	1 A, 5×20 mm	2FU5



1 SPARE PARTS

C = Component designation in the circuit diagram					
Item	Qtz	Ordering no.	Denomination	Notes	C
AB31	3	0464 663 042	Fuse holder		
AB32	3	0464 663 045	Fuse holder	5×20 mm	
AB33	1	0459 854 002	Insulation	28 pol	
AB34	2	0467 911 884	Capacitor	0.1 µF 250V	20C2, 20C3
AB35	1	0458 681 909	Cable CAN	D-sub L 800 mm	
AB36	1	0457 800 001	Insulation		
AB37	1	0458 681 910	Cable CAN	D-sub L 700 mm	
AB38	2	0194 269 002	Grommet	M20, 5-10	
AB39	1	0523 300 202	Screw terminal	Red	
AB40	1	0193 701 002	Fuse holder	5×20 mm	
AB41	1	-	Delay-action ceramic-tube fuse	3.15 A, 5×20	20FU1
AB 42	1	0193 701 001	Fuse holder knob	5×12 mm	
AB 43	1	0523 300 201	Screw terminal	Black	
	1	0467 911 884	Capacitor	0.1 µF 250V	20C1
AB44	1	0449 346 001	Dust cap	28 pol	
AB45	1	0366 285 001	Protection cap	12 pol	
AB46	1	0465 055 001	Filter holder		

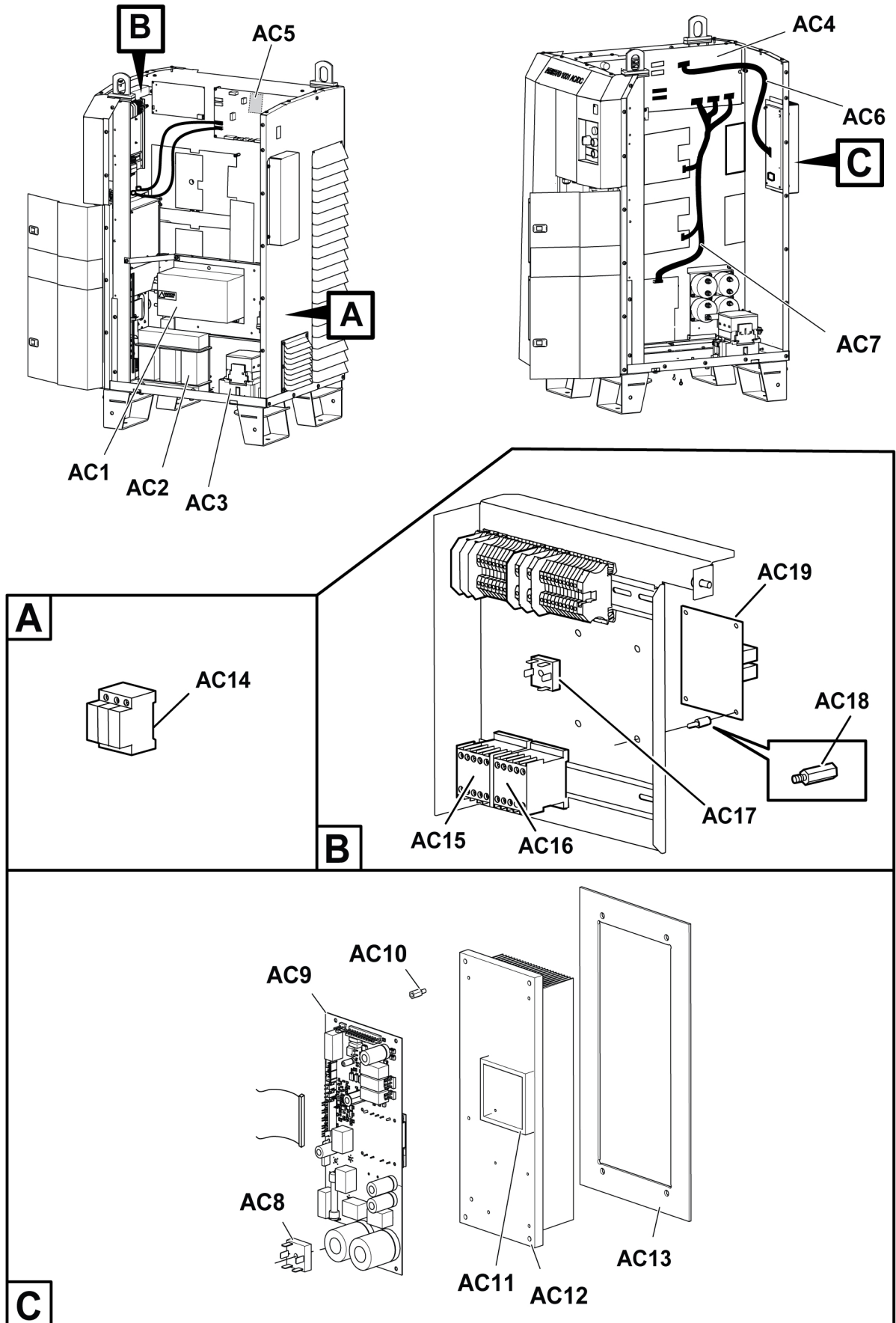


1 SPARE PARTS

C = Component designation in the circuit diagram					
Item	Qty.	Ordering no.	Denomination	Notes	C
AC1	1	0463 048 002	EMC filter		2AP3
AC2	1	0463 013 001	Control transformer		2TC1
AC3	1	0442 849 001	Contactora	24 V DC coil	2KM1
AC4	1	0487 995 882	PC-board control board		20AP1
AC5	1	0440 834 880	Attribute external memory PCBA		20AP1-1
AC6	1	0193 700 721	Ribbon cable with connectors	7032	
AC7	1	0193 700 720	Ribbon cable set with connectors	7042, 7080, 7090	
AC8	1	0193 316 108	Rectifier bridge		2BR2
AC9	1		PCB internal power supply		2AP1
AC10	5		Spacer screw	M4×12	
AC11	1		Gasket DCDC		
AC12	1		Heat sink DC-DC converter		
AC13	1	0463 133 001	Insulation frame		
AC14	1	0463 050 001	Thermal protection relay	GV2RT14	2FU1
AC15	1	0463 047 002	Mini contactora		2KM3
AC16	1	0463 047 001	Mini contactora		2KM2
AC17	1	0193 316 108	Rectifier bridge		2BR1
AC18	4	0394 516 003	Distance screw	M3×10	
AC19	1	0487 867 880	PCB power on		2AP2

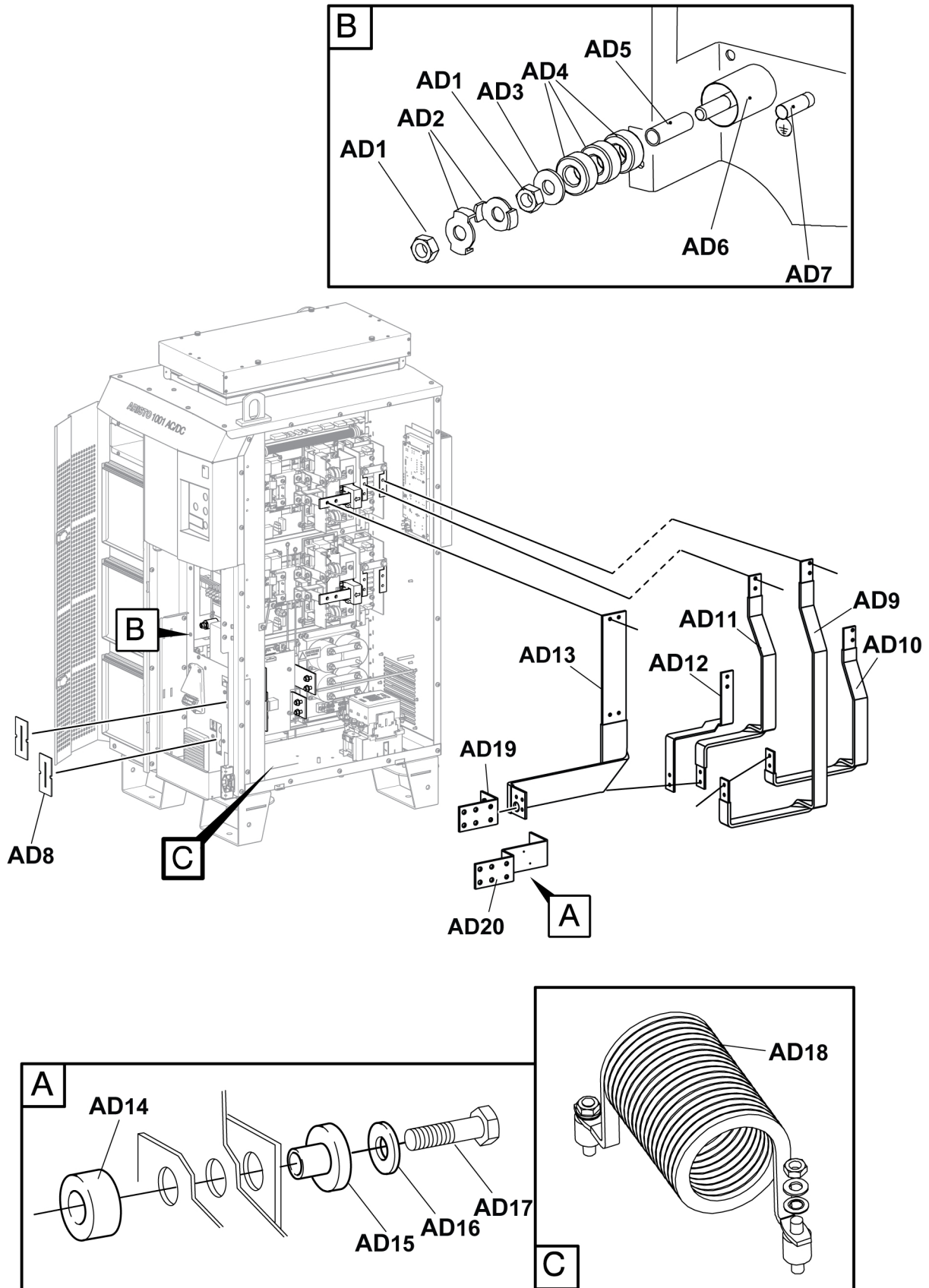
SPARE PARTS SETS

Item	Ordering no.	Denomination	Notes
AC50	0464 752 387	PCB internal power supply kit	Including items: AC9, AC10, AC11 and AC12 with fasteners



1 SPARE PARTS

C = Component designation in the circuit diagram					
Item	Qty.	Ordering no.	Denomination	Notes	C
AD1	2	-	Nut	ISO 4032, M8	
AD2	2	0264 300 405	Washer	KB 8.5	
AD3	7	-	Washer	ISO 7089, D10/8.4×2	
AD4	3	0194 034 002	Ferrite core		2L11, 2L12, 2L13
AD5	1	0465 083 002	Pipe, steel		
AD6	1	-	Shrinking tubing	40 mm	
AD7	1	-	Hose PVC	D9×0.35 mm, 10 mm	
AD8	2	0468 797 003	Gasket		
AD9	1	0465 297 001	Bar flexible	DC plus	
AD10	1	0465 296 001	Bar flexible	DC plus	
AD11	1	0465 295 001	Bar flexible	DC minus	
AD12	1	0463 034 002	Bar	DC minus, AC	
AD13	1	0465 294 001	Bar flexible middle	Common	
AD14	6	0163 139 001	Bushing		
AD15	6	0162 414 002	Insulating tube		
AD16	5	-	Washer	ISO 7089, D20/8.4×2	
AD17	4	-	Screw	ISO 4014, M8×30	
AD18	1	0465 162 001	Coil		
AD19	1	0462 965 001	Connection bar middle		
	1	0465 183 880	Chassis capacitor		18C5
AD20	1	0463 211 001	Connection bar	AC	
		-	Shrinking tubing	20 mm	



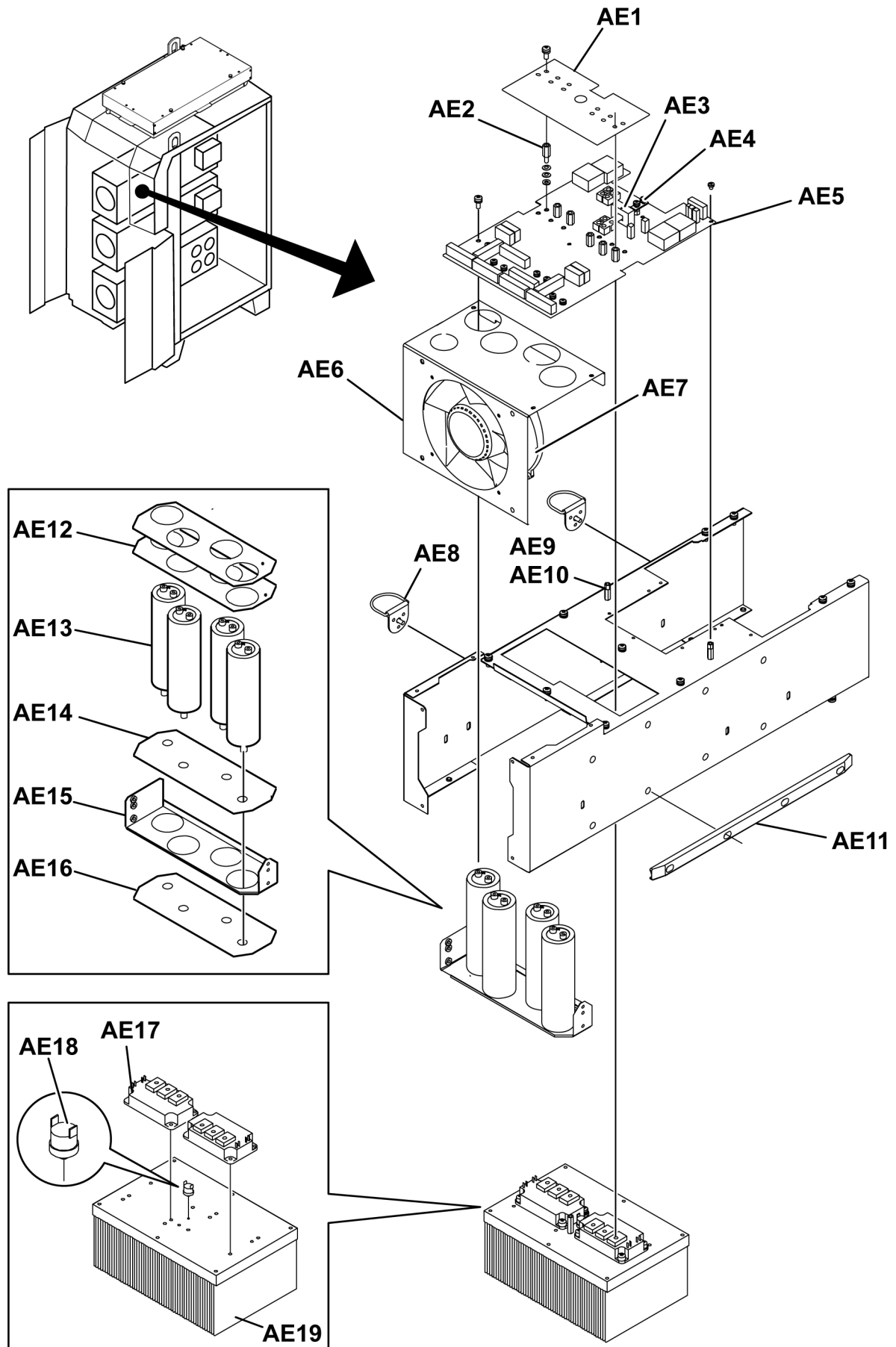
**NOTE!**

Only describe one module.

C = Component designation in the circuit diagram					
Item	Qty.	Ordering no.	Denomination	Notes	C
AE1	1	0487 831 880	PC-board filter		15AP3, 15AP4
AE2	6	0394 516 049	Spacing screw	M6×20	
AE3	1	0462 047 001	Bar shunt		
AE4	1	0394 516 033	Spacing screw	M2×12	
AE5	1	0487 733 880	PC-board power board		15AP1, 15AP2
AE6	1	0462 102 001	Fan bracket		
AE7	1	0462 974 010	AC/DC module fan complete		15EV1, 15EV2
AE8	2	0463 094 001	Lifting bracket		
AE9	2	0394 516 036	Spacing screw	M5×20	
AE10	2	0394 516 031	Spacing screw	M5×8	
AE11	2	0469 223 001	Slide bar		
AE12	2	0463 095 001	Neoprene gasket		
AE13	4	0194 378 001	Capacitor	500 V, 2800 µF	15C1- 15C4, 15C5- 15C8
AE14	1	0463 204 001	Insulation board		
AE15	1	0462 097 001	Holder lower		
AE16	1	0463 203 001	Insulation plate		
AE17	2	-	IGBT transistors	See item AE50.	PM1, PM2
AE18	1	0456 113 890	Thermal switch primary inductor		
AE19	1	0462 001 001	Heat sink primary		

SPARE PARTS SETS

Item	Ordering no.	Denomination	Notes
AE50	0465 840 880	IGBT module set	Including items: AE17 (PM1 and PM2), screw M6×20, thermal compound, roller and mounting instruction



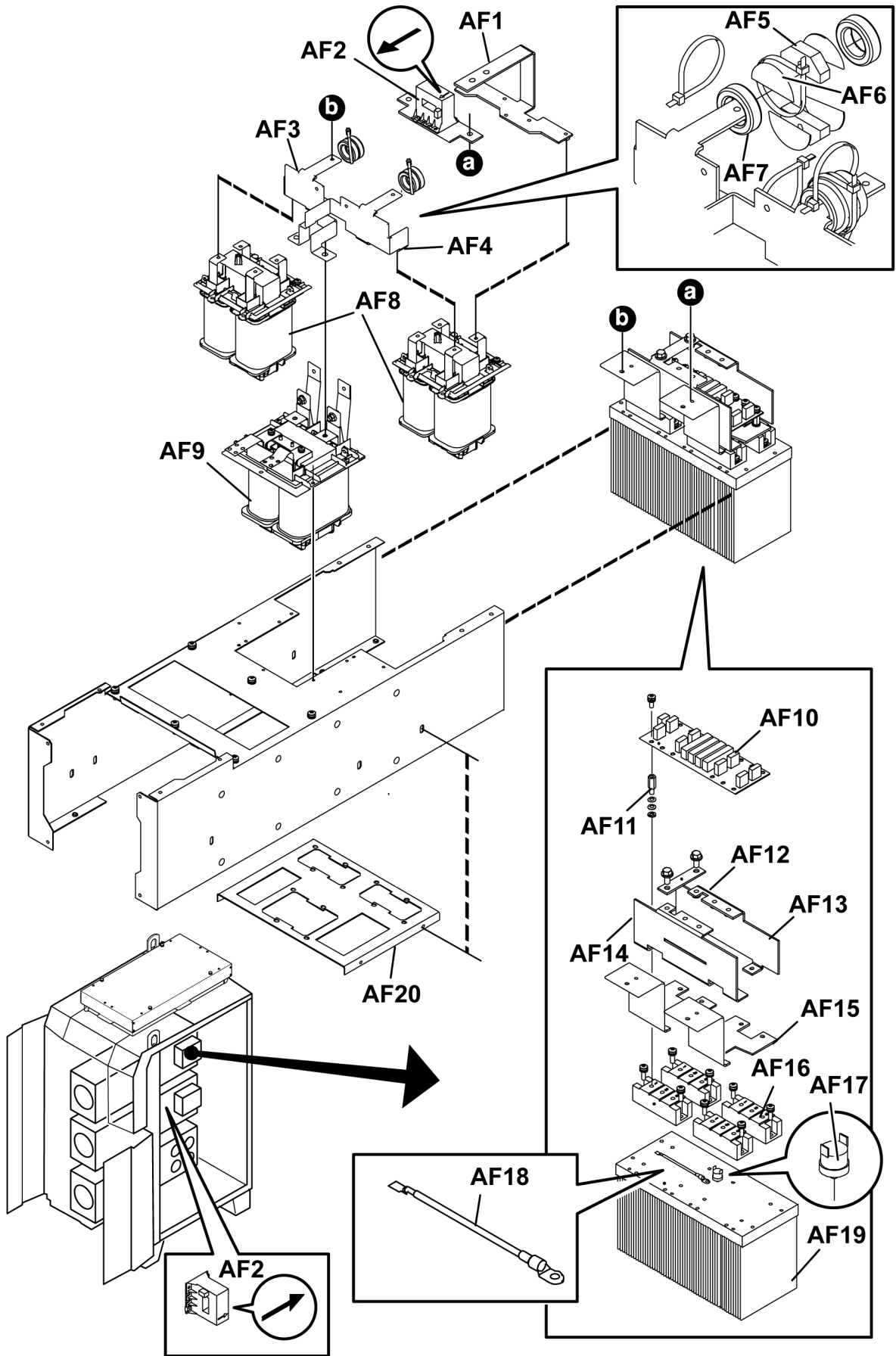
**NOTE!**

Only describe one module.

C = Component designation in the circuit diagram					
Item	Qty.	Ordering no.	Denomination	Notes	C
AF1	1	0462 048 001	Bar		
AF2	1	0458 063 004	Current sensor		
AF3	1	0462 753 001	Connection bar 1		
AF4	1	0462 753 002	Connection bar 2		
AF5	4	0465 165 002	Heatsink		
AF6	4	0465 166 001	Pad for Heatsink		
AF7	4	0455 569 001	Ferrite ring core		15L3- 15L6, 15L7- 15L10
AF8	2	0462 972 880	Inductor secondary		15L1a, 15L1b, 15L2a, 15L2b
AF9	1	0462 969 880	Transformer		15TM1, 15TM2
AF10	1	0487 825 880	PC-board secondary rectifier		15AP5, 15AP6
AF11	12	0394 516 049	Spacing screw	M6×20	
AF12	1	0463 096 001	Bar bracket		
AF13	1	0462 021 001	Bar DC plus		
AF14	1	0462 020 001	Bar DC minus		
AF15	2	0462 022 001	Bar secondary transformer		
AF16	4	-	Diode module	See item AF50.	D9-D12
AF17	1	0456 113 891	Thermal switch		
AF18	1	0194 384 002	Thermal protector		
AF19	1	0465 048 001	Heat sink secondary		
AF20	1	0462 105 001	Support transformer / inductor		

SPARE PARTS SETS

Item	Ordering no.	Denomination	Notes
AF50	0458 920 882	Diode module set	Including items: AF 16 diode module, screw M6×20, thermal compound, roller and mounting instruction. NOTE! There is only one diode module in the set.



1 SPARE PARTS

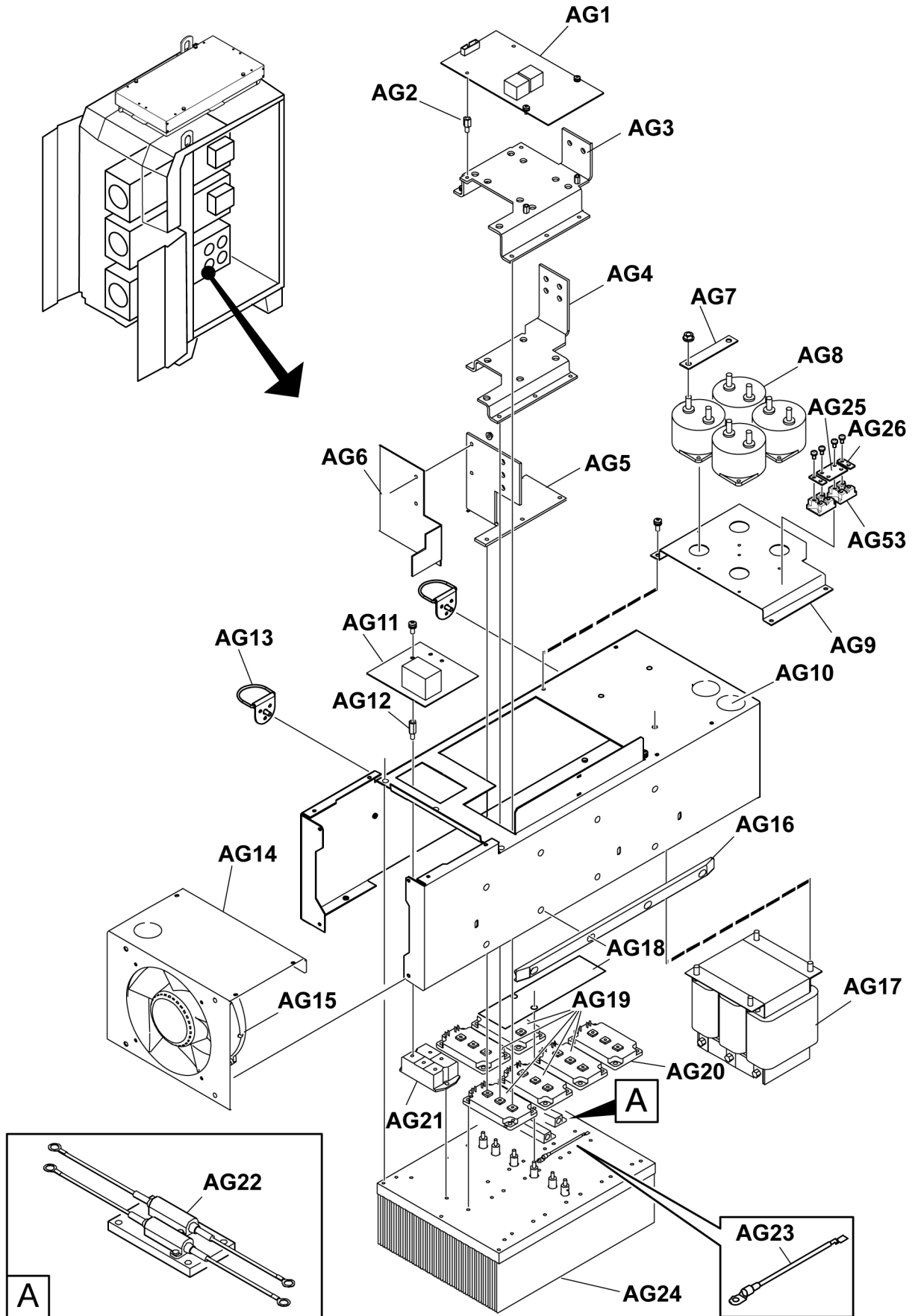
C = Component designation in the circuit diagram					
Item	Qty.	Ordering no.	Denomination	Notes	C
AG1	1	0487 859 882	PC-board AC-control		18AP1
AG2	4	0394 516 033	Spacing screw	M2×12	
AG3	1	0463 104 001	Bar outer		
AG4	1	0462 110 001	Bar middle		
AG5	1	0462 109 001	Bar inner		
AG6	1	0463 217 001	Insulation wall		
AG7	4	0463 154 001	Capacitor bar		
AG8	4	0194 407 001	Capacitor	400 V, 260 µF	18C1- 18C4
AG9	1	0463 144 001	Capacitor bracket		
AG10	2	0194 069 003	Rubber inlet	Ø37 mm	
AG11	1	0487 872 880	PCB soft start		15AP7
AG12	5	0394 516 049	Spacing screw	M6×20	
AG13	2	0463 094 001	Lifting bracket		
AG14	1	0462 102 002	Fan bracket AC		
AG15	1	0462 974 010	AC/DC Module fan complete	Cable harness with connector	18EV1
AG16	2	0469 223 001	Slide bar		
AG17	1	0463 012 001	Primary inductor		2L1
AG18	1	0463 218 001	Insulation sheet		
AG19	5	-	IGBT-module	500 A/600 V, see item AG50.	18PM1- 18PM5
AG20	1	-	IGBT-module	500 A/600 V, see item AG51.	18PM6
AG21	1	-	Rectifier bridge	See item AG52.	15BR1
AG22	1	0465 074 880	Resistor cable harness	50 W, 1500 ohm	18R1, 18R2
AG23	1	0194 384 002	Thermal protector		
AG24	1	0462 003 002	Heat sink AC		
AG25	1	0449 566 001	Connection Plate 4 hole		
AG26	2	0449 566 002	Connection Plate 2 hole		

SPARE PARTS SETS

Item	Ordering no.	Denomination	Notes
AG50	0465 228 880	IGBT modules set	Including items: AG19 (18PM6), screws M6×20, thermal compound, roller and mounting instruction.
AG51	0465 229 880	IGBT modules set	Including items: AG20 (18PM1, 18PM2, 18PM3, 18PM4, 18PM5), screws M6×20, thermal compound, roller and mounting instruction.

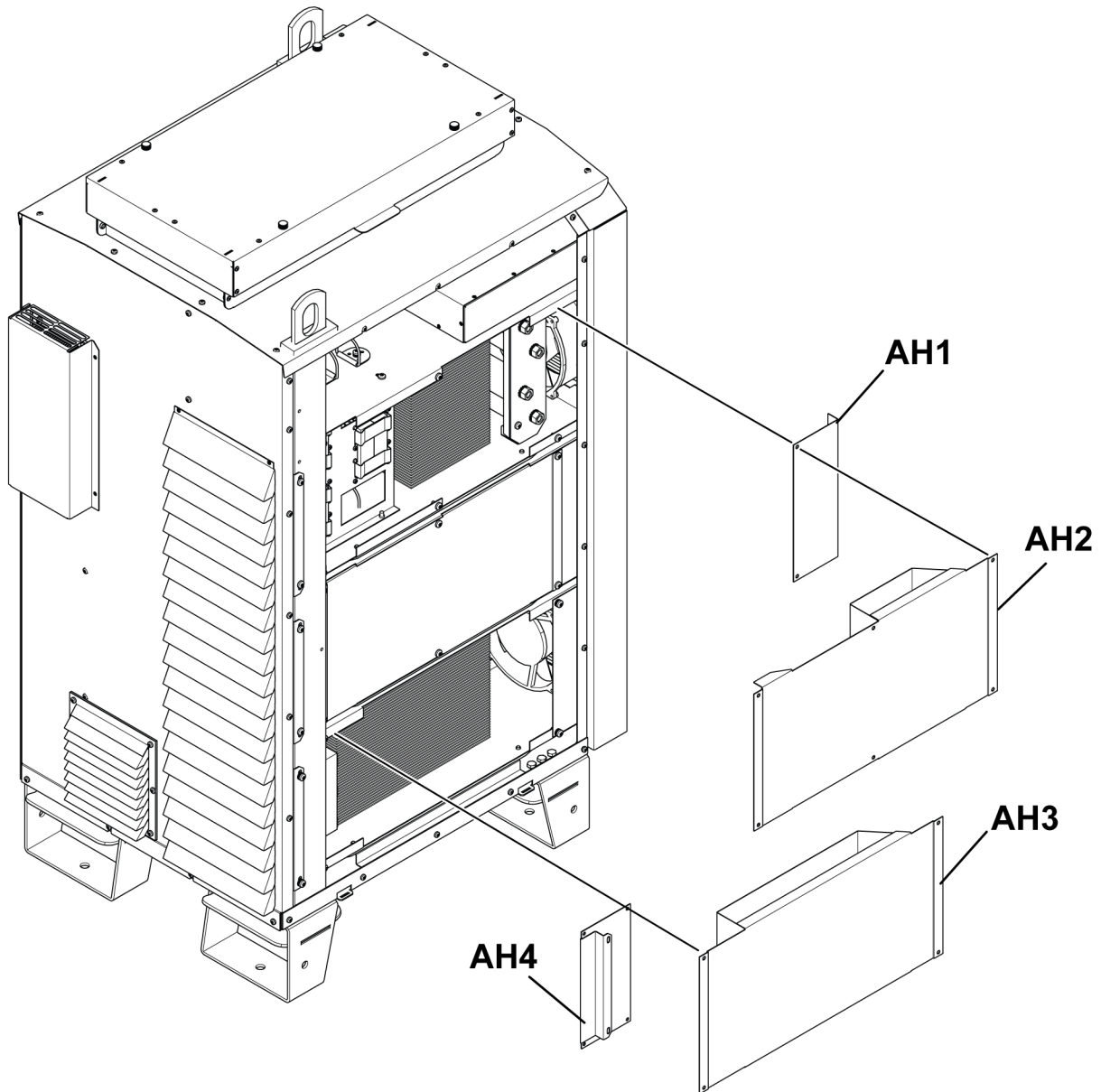
1 SPARE PARTS

Item	Ordering no.	Denomination	Notes
AG52	0465 230 880	Rectifier set	Including items: AG21 (15BR1), screws M6×20, thermal compound, roller and mounting instruction.
AG53	0463 213 880	Diode set	Including items: 2 diodes, thermal compound, 8 screws M4×8, beleville washer, roller and mounting instruction.



1 SPARE PARTS

Item	Qty.	Ordering no.	Denomination	Notes
AH1	2	0463 143 001	Extension plate	
AH2	2	0465 053 881	Cover plate complete	
AH3	1	0462 098 881	Cover plate complete	
AH4	1	0463 111 001	Frame bracket	





A WORLD OF PRODUCTS AND SOLUTIONS.



For contact information visit esab.com

ESAB AB, Lindholmsallén 9, Box 8004, 402 77 Gothenburg, Sweden, Phone +46 (0) 31 50 90 00

manuals.esab.com

